



ZUBI

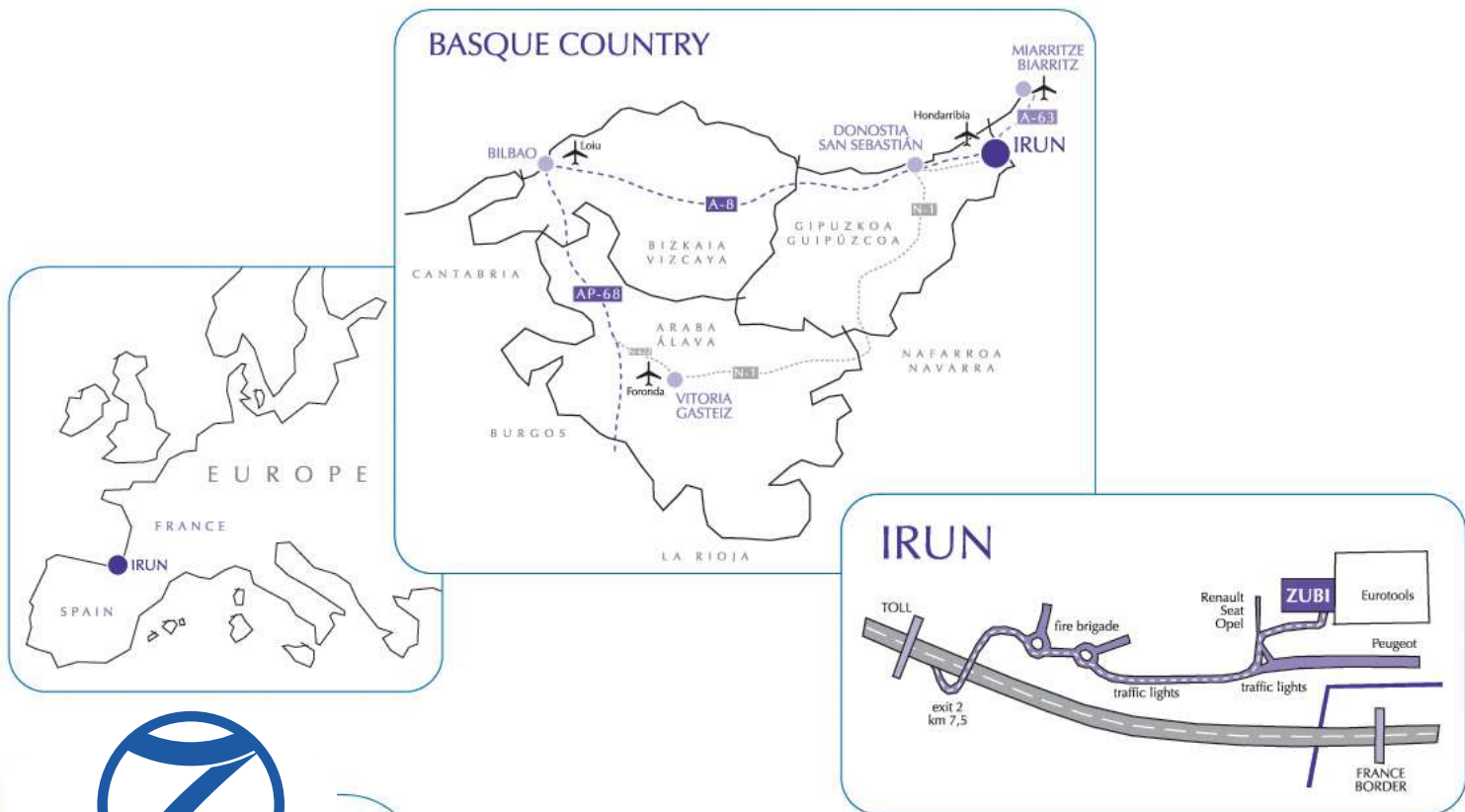
DIAPHRAGM VALVES ·  
CHECK VALVES ·  
KNIFE GATE VALVES ·  
PENSTOCK VALVES ·



ООО «ТИ-СИСТЕМС» ИНЖИНИРИНГ И ПОСТАВКА ТЕХНОЛОГИЧЕСКОГО ОБОРУДОВАНИЯ

Интернет: [www.tisys.ru](http://www.tisys.ru) [www.tisys.kz](http://www.tisys.kz) [www.tisys.by](http://www.tisys.by) [www.tesec.ru](http://www.tesec.ru) [www.ти-системс.рф](http://www.ти-системс.рф)

Телефоны: +7 (495) 7774788, 7489626, 5007155, 54 Эл. почта: [info@tisys.ru](mailto:info@tisys.ru) [info@tisys.kz](mailto:info@tisys.kz) [info@tisys.by](mailto:info@tisys.by)



**ZUBI**

**Válvulas Zubi S.L.** has been manufacturing valves since 1979, focusing its activities at first on the exclusive manufacture of diaphragm valves, a field in which the company has gained a prestigious reputation. Later, it expanded its production range and began to manufacture disk check and ball check valves also. It currently offers an even wider range of products which also includes knife gate valves, wall penstocks, channel penstocks and square knife gate valves.

Thanks to its more than 25 years' experience and its ongoing commitment to improvement, **Válvulas Zubi S.L.** offers its customers a wide range of products that enables all kinds of solutions for every conceivable need. The main characteristics of our valves are their high quality, their perfect watertightness and their ease of handling. This of course would not be possible without the collaboration of all our staff and the use of equipment and procedures that enable us to ensure both continuity and improvement, as well as the optimisation of costs.

This enterprise supplies a long list of customers including water treatment plants, the chemical industry, thermal and nuclear power stations, paper mills, conversion companies and the food industry, among others.

Our products are sold on both the domestic market and to various countries in Europe, Asia, Australia and America. It is currently in the process of setting up a world-wide network of sales reps.



ООО «ТИ-СИСТЕМС» ИНЖИНИРИНГ И ПОСТАВКА ТЕХНОЛОГИЧЕСКОГО ОБОРУДОВАНИЯ

Интернет: [www.tisys.ru](http://www.tisys.ru) [www.tisys.kz](http://www.tisys.kz) [www.tisys.by](http://www.tisys.by) [www.tesec.ru](http://www.tesec.ru) [www.ти-системс.рф](http://www.ти-системс.рф)

Телефоны: +7 (495) 7774788, 7489626, 5007155, 54 Эл. почта: [info@tisys.ru](mailto:info@tisys.ru) [info@tisys.kz](mailto:info@tisys.kz) [info@tisys.by](mailto:info@tisys.by)

## Manuals



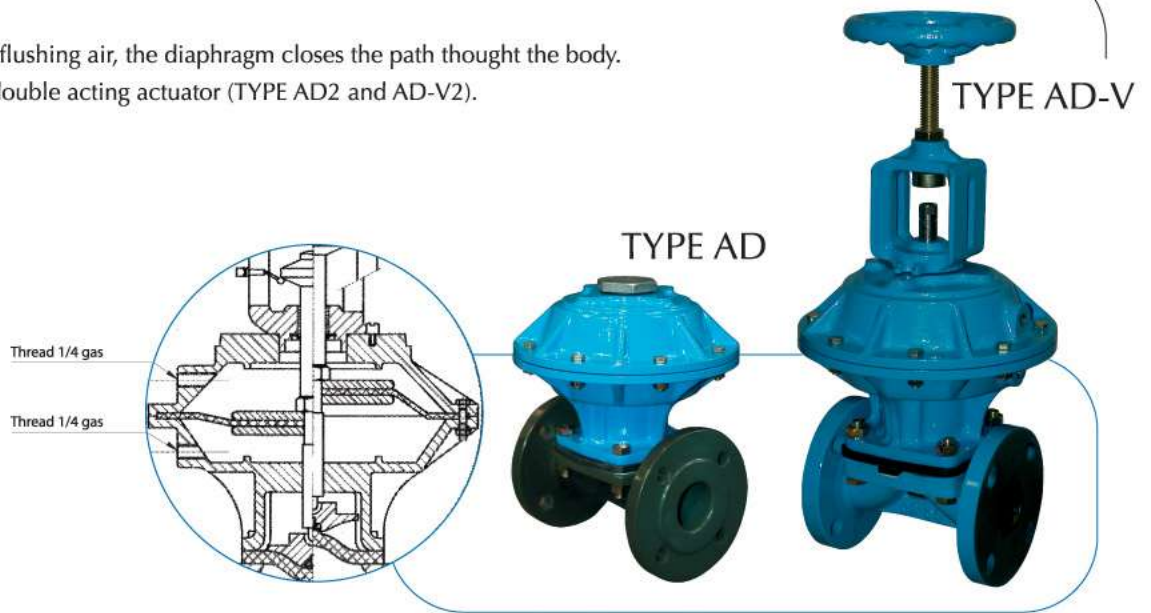
- Handwheel operated

# Diaphragm valves

## Models

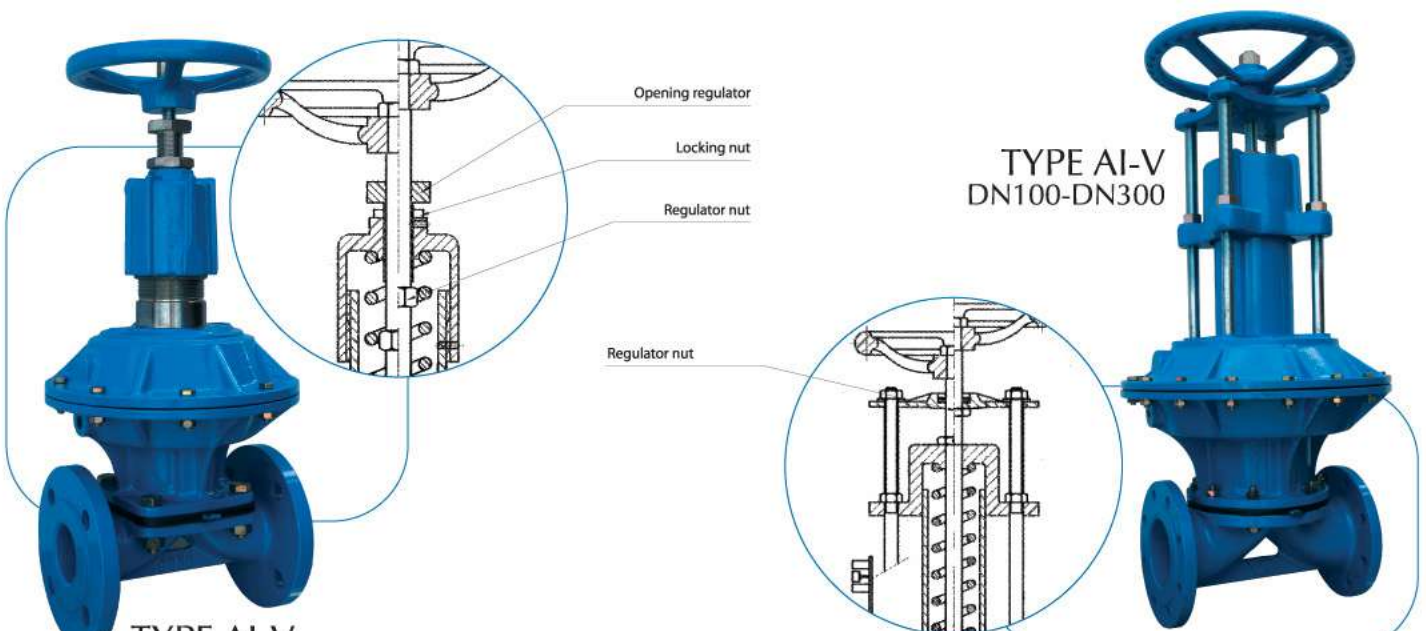
## Automatics (air to close)

- Pneumatic operated: when flushing air, the diaphragm closes the path through the body.
- Manufactured valves with double acting actuator (TYPE AD2 and AD-V2).



## Automatics (air to open)

- Pneumatic operated: when flushing air, the diaphragm opens the path through the body.
- Manufactured valves equipped with flow regulation (TYPE AI-VR).



ООО «ТИ-СИСТЕМС»  
DN15-DN80

ИНЖИНИРИНГ И ПОСТАВКА ТЕХНОЛОГИЧЕСКОГО ОБОРУДОВАНИЯ

Интернет: [www.tisys.ru](http://www.tisys.ru) [www.tisys.kz](http://www.tisys.kz) [www.tisys.by](http://www.tisys.by) [www.tesec.ru](http://www.tesec.ru) [www.ти-системс.рф](http://www.ти-системс.рф)

Телефоны: +7 (495) 7774788, 7489626, 5007155, 54 Эл. почта: [info@tisys.ru](mailto:info@tisys.ru) [info@tisys.kz](mailto:info@tisys.kz) [info@tisys.by](mailto:info@tisys.by)

## Bodies

Model 100  
(weir type)



DN 15 - DN 350

Model 85  
(straight through type)



DN 15 - DN 300

Model 100E  
(angled shape)



DN 20 - DN 150

Model 99  
(threaded weir type)



DN 15 - DN 80

Model 85/99  
(threaded straight through type)



DN 15 - DN 80

Model 99BW  
(butt welding)



DN 15 - DN 80

Model 99SW  
(socket welding)



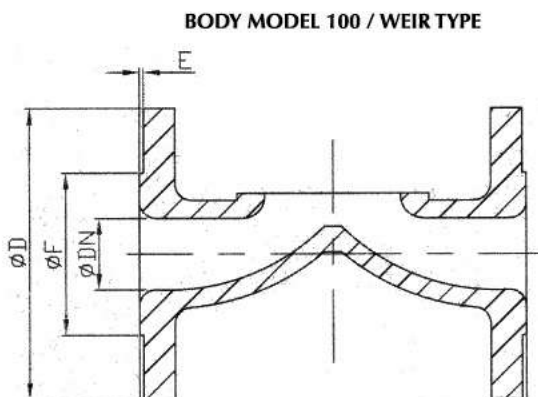
DN 15 - DN 80

• Available in straight through type

• Available in straight through type

- \* All the bodies are interchangeable with any drives (manuals, automatics air to open and air to close).
- \* The bodies can be internally lined protecting from aggressive chemical attacks, except the threaded ones.
- \* Manufacturing norms: DIN-3202 and BS-5156. Both PN10/16 and ANSI 125/150Lbs. The threaded: NPT and GAS. Other norms under request.
- \* Valves manufactured following European Pressure Equipment Directive PED 97/23/CE.

## Dimensions



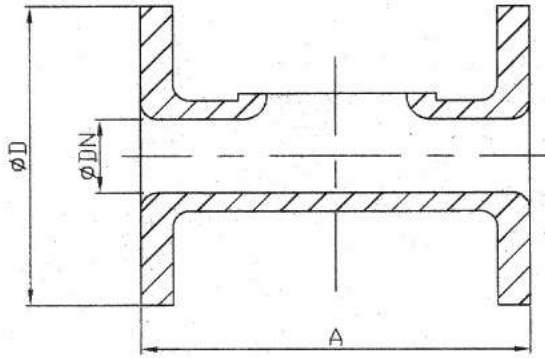
DN	INCHES	Ø D		A		Ø F	E
		PN 10/16	ANSI 125/150	DIN3202	BS5156		
15	1/2"	95	89	130	108	50	2
20	3/4"	105	99	150	117	58	2
25	1"	115	108	160	127	68	2
32	1 1/4"	140	118	180	146	78	2
40	1 1/2"	150	127	200	159	88	3
50	2"	165	153	230	190	102	3
65	2 1/2"	185	178	290	216	122	3
80	3"	200	190	310	254	138	3
100	4"	220	228	350	305	158	3
125	5"	250	254	400	356	188	3
150	6"	285	280	480	406	212	3
200	8"	340	343	600	521	268	3
250	10"	395	406	730	635	320	3
300	12"	445	483	850*	749	372	4
350	14"	505	533	**		440	4

ООО «ТИ-СИСТЕМС» ИНЖИНИРИНГ И ПОСТАВКА ТЕХНОЛОГИЧЕСКОГО ОБОРУДОВАНИЯ

Интернет: [www.tisys.ru](http://www.tisys.ru) [www.tisys.kz](http://www.tisys.kz) [www.tisys.by](http://www.tisys.by) [www.tisec.ru](http://www.tisec.ru) [www.ти-системс.рф](http://www.ти-системс.рф)

Телефоны: +7 (495) 7774788, 7489626, 5007155, 54 Эл. почта: [info@tisys.ru](mailto:info@tisys.ru) [info@tisys.kz](mailto:info@tisys.kz) [info@tisys.by](mailto:info@tisys.by)

**BODY MODEL 85 / STRAIGHT THROUGH TYPE**

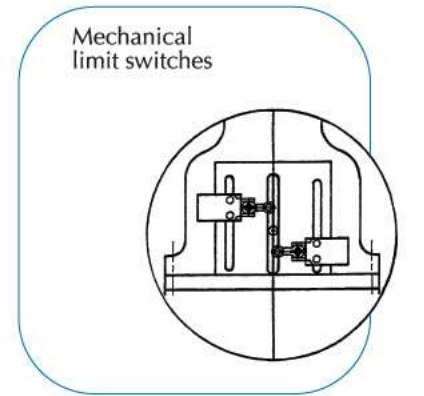
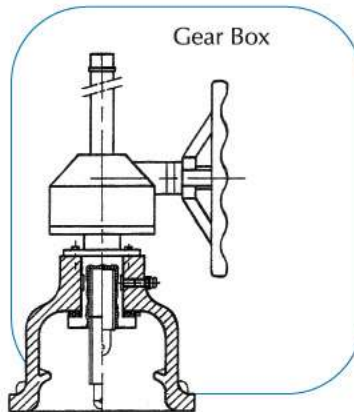
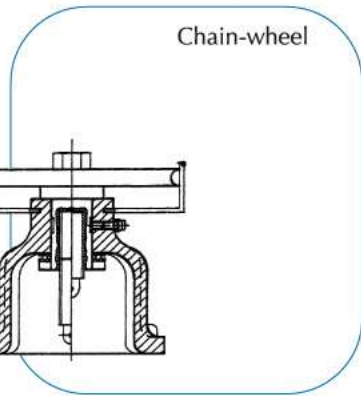
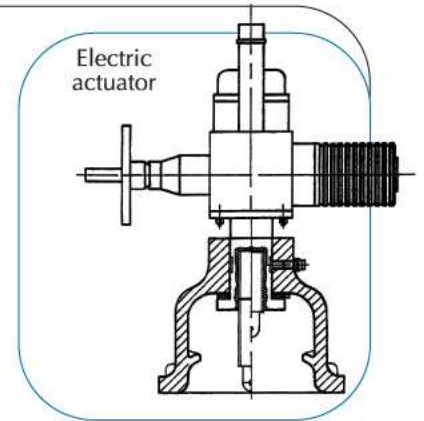
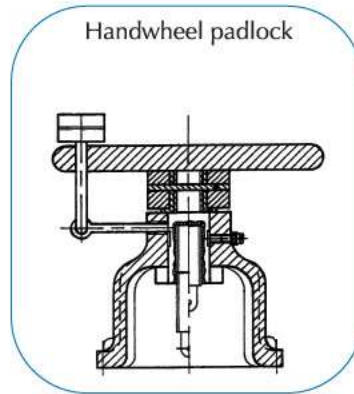
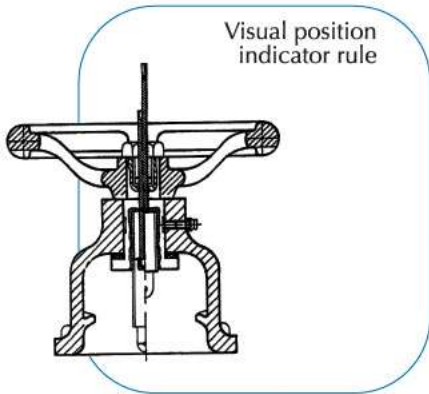


DN	INCHES	Ø D		A	
		PN 10/16	ANSI 125/150	DIN3202	BS5156
15	1/2"	95	89	130	108
20	3/4"	105	99	150	117
25	1"	115	108	160	127
32	1 1/4"	140	118	180	146
40	1 1/2"	150	127	200	159
50	2"	165	153	230	190
65	2 1/2"	185	178	290	216
80	3"	200	190	310	254
100	4"	220	228	350	305
125	5"	250	254	400	356
150	6"	285	280	480	406
200	8"	340	343	600	521
250	10"	395	406	730	635
300	12"	445	483	850*	749

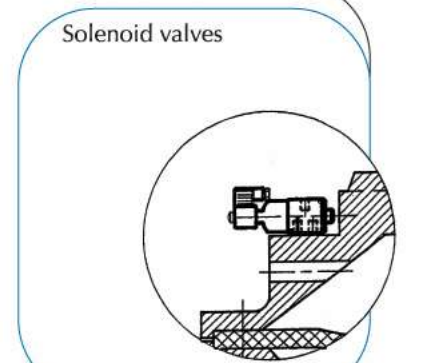
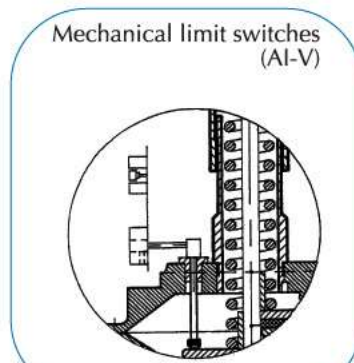
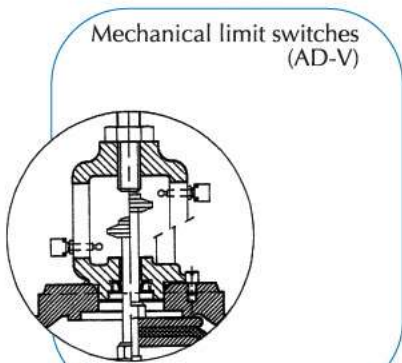
\* 735 Special size

**Accessories**

**For manual valves**



**For automatic operated valves**



ООО «ТИ-СИСТЕМС» ИНЖИНИРИНГ И ПОСТАВКА ТЕХНОЛОГИЧЕСКОГО ОБОРУДОВАНИЯ

Интернет: [www.tisys.ru](http://www.tisys.ru) [www.tisys.kz](http://www.tisys.kz) [www.tisys.by](http://www.tisys.by) [www.tesec.ru](http://www.tesec.ru) [www.ти-системс.рф](http://www.ти-системс.рф)

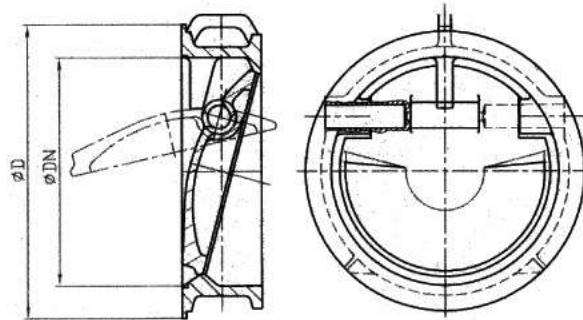
Телефоны: +7 (495) 7774788, 7489626, 5007155, 54 Эл. почта: [info@tisys.ru](mailto:info@tisys.ru) [info@tisys.kz](mailto:info@tisys.kz) [info@tisys.by](mailto:info@tisys.by)

# Check valves

## Models

### Model 113AR (Tilting disk check valves)

DN 50 - DN 900

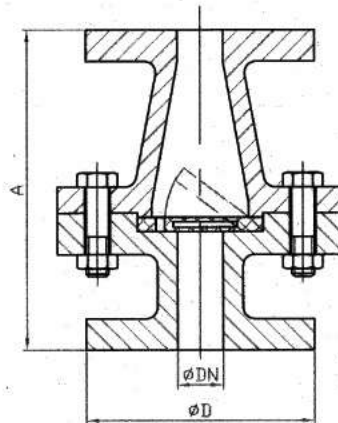


- Available flange connections: PN10/PN16/PN25.
- It can be equipped with a spring or counterweight.

DN	INCHES	Ø D	
		PN 10/16	ANSI 125/150
50	2"	107	102,5
65	2 1/2"	127	121,5
80	3"	142	134,5
100	4"	162	172,5
125	5"	194	194
150	6"	219	219
200	8"	273	273
250	10"	329	337,5
300	12"	378	407,5
350	14"	438	448,5
400	16"	490	512
450	18"	539	547
500	20"	594	604,5
600	24"	696	715,5
700	28"	811	
800	32"	918	
900	36"	1018	

### Model 114AR (Disk check valves)

DN 15 - DN 400

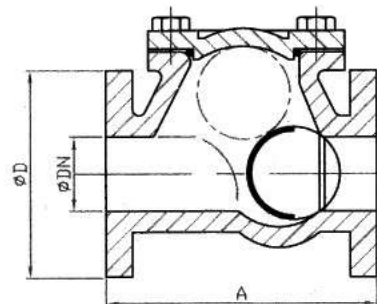


- Manufacturing norms: DIN-3202: PN10/16 and ANSI 125/150 Lbs.
- Possibility to be lined.

DN	INCHES	A	Ø D	
			PN 10/16	ANSI 125/150
15	1/2"	150	95	89
20	3/4"	150	105	99
25	1"	160	115	108
32	1 1/4"	180	140	118
40	1 1/2"	200	150	127
50	2"	230	165	153
65	2 1/2"	290	185	178
80	3"	310	200	190
100	4"	350	220	228
125	5"	400	250	254
150	6"	480	285	280
200	8"	600	340	343
250	10"	650	395	406
300	12"	750	445	483
350	14"	750	505	533
400	16"	850	656	597

### Model 115AR (Ball check valves)

DN 20 - DN 250

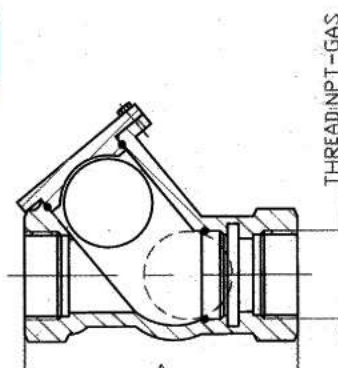


- Manufacturing norms: DIN-3202: PN10/16 and ANSI 150 Lbs.
- Possibility to be lined.

DN	INCHES	A	Ø D	
			PN 10/16	ANSI 125/150
20	3/4"	117	105	99
25	1"	127	115	108
40	1 1/2"	159	150	127
50	2"	200	165	153
65	2 1/2"	210	185	178
80	3"	260	200	190
100	4"	300	220	228
125	5"	350	250	254
150	6"	400	285	280
200	8"	500	340	343
250	10"	670	395	406

### Model 115/99AR (Threaded ball check valves)

DN 25 - DN 80



DN	INCHES	A
25	1"	114
32	1 1/4"	132
40	1 1/2"	145
50	2"	174
65	2 1/2"	200

ООО «ТИ-СИСТЕМС» ИНЖИНИРИНГ И ПОСТАВКА ТЕХНОЛОГИЧЕСКОГО ОБОРУДОВАНИЯ

\* Other norms of flange connections under request. Интернет: [www.tisys.ru](http://www.tisys.ru) [www.tisys.kz](http://www.tisys.kz) [www.tisys.by](http://www.tisys.by) [www.tesec.ru](http://www.tesec.ru) [www.ti-sistems.pf](http://www.ti-sistems.pf)

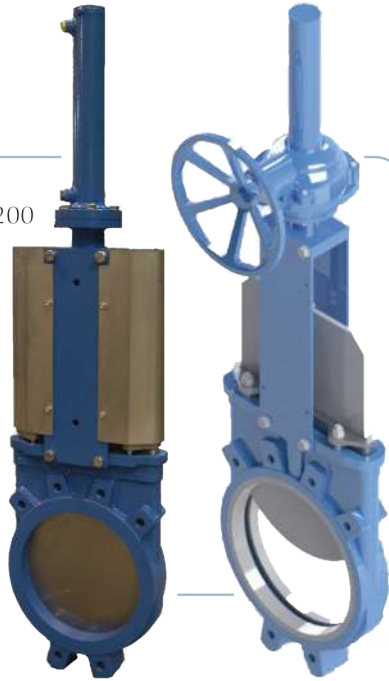
\* Valves manufactured following European Pressure Equipment Directive PED 97/23/CE. Телефоны: +7 (495) 777 4788, 7489626, 5007155, 54 9л. но́чта. info@tisys.ru info@tisys.kz info@tisys.by



# Knife Gate Valves

## Type 200 BI

DN 50 - DN 1200



· Bidirectional Wafer type

## Type 200 Lug BI

DN 50 - DN 1200



· Bidirectional Lug type

## Bonneted design BI

DN 50 - DN 1200



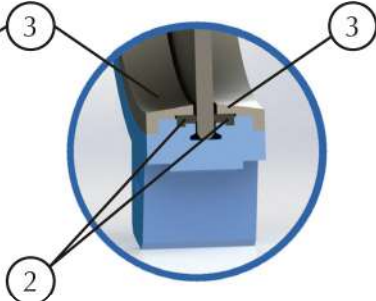
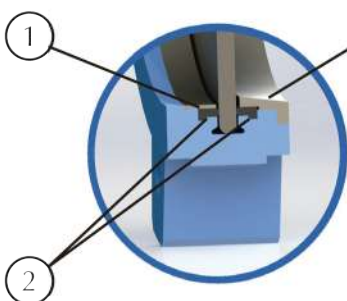
· Type 200 Bi and 200 Lug BI

# Sealing Options

Soft seated bidirectional

Soft seated reinforced bidirectional

Metal-Metal bidirectional



- 1. Sealing ring
- 2. Seat
- 3. Reinforced ring 8°

ООО «ТИ-СИСТЕМС» ИНЖИНИРИНГ И ПОСТАВКА ТЕХНОЛОГИЧЕСКОГО ОБОРУДОВАНИЯ

Интернет: [www.tisys.ru](http://www.tisys.ru) [www.tisys.kz](http://www.tisys.kz) [www.tisys.by](http://www.tisys.by) [www.tesec.ru](http://www.tesec.ru) [www.ти-системс.рф](http://www.ти-системс.рф)

Телефоны: +7 (495) 7774788, 7489626, 5007155, 54 Эл. почта: [info@tisys.ru](mailto:info@tisys.ru) [info@tisys.kz](mailto:info@tisys.kz) [info@tisys.by](mailto:info@tisys.by)



## Knife Gate Valves

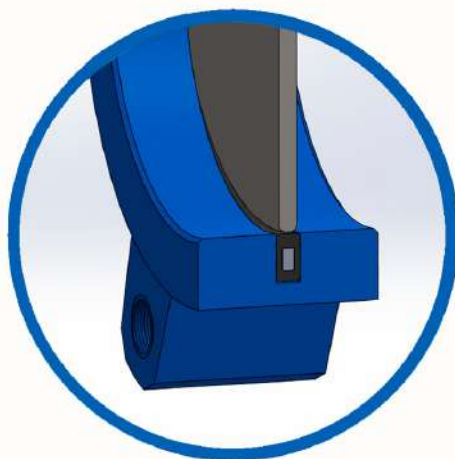
### Type 700



The Bidirectional T700 is a wafer U-seat design resilient seated knife gate valve which can handle fluid/pressure from both directions.

The main features of the T700 valve are:

- Provides high flow rates with low pressure drop. 100 % water tight in both senses
- Smooth and unobstructed full flow passage, no cavity or void in body, means no clogging
- U-seat with a steel stiff core vulcanized
- Self cleaning design; little maintenance required





# Knife gate valves

## Models

### Model 200

DN 50 - DN 1200



- Unidirectional wafer type valve.

### Full Lug model

DN 50 - DN 600



- Unidirectional lug type valve.

### With bonnet

DN 50 - DN 600



- For 200 and Full Lug models.

### Model 400

DN 50 - DN 600

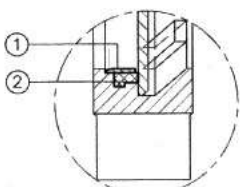


- Unidirectional wafer type valve.
- Lateral clearing holes.
- Specially designed for silo discharge applications.

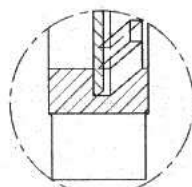
\* TAPPI MODEL (HEAVY DUTY VALVE): Which differ from the Fully Lugged Model 200 in the thickness of body and gate. Higher Design Pressure (DP) 10 Bar from DN50 to DN600.

## Types of seat

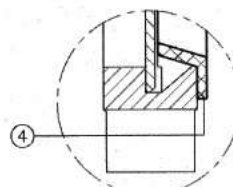
SOFT SEATED



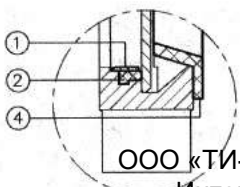
METAL SEATED



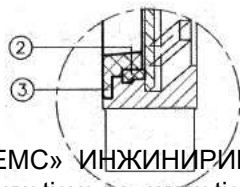
METAL SEATED WITH DEFLECTING CONE 15°



SOFT SEATED WITH DEFLECTING CONE 15°



SOFT SEATED WITH SCRAPER 8°



SOFT SEATED WITH DEFLECTING CONE 15° AND SCRAPER 8°

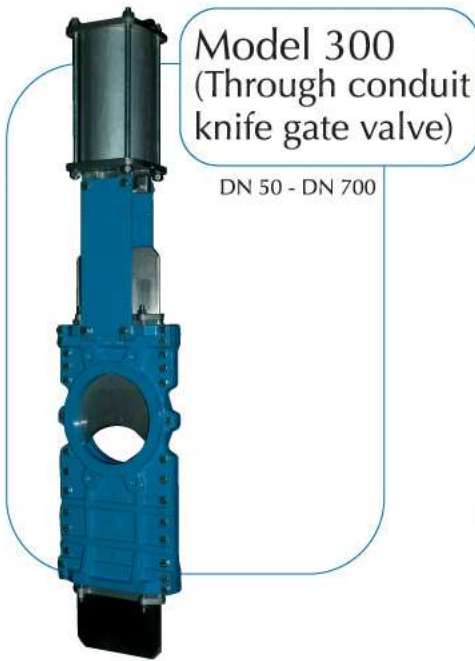


- ① FIXING RING
- ② SOFT SEAT
- ③ SCRAPER 8°
- ④ DEFLECTING CONE 15°

ООО «ТИ-СИСТЕМС» ИНЖИНИРИНГ И ПОСТАВКА ТЕХНОЛОГИЧЕСКОГО ОБОРУДОВАНИЯ

Интернет: [www.tisys.ru](http://www.tisys.ru) [www.tisys.kz](http://www.tisys.kz) [www.tisys.by](http://www.tisys.by) [www.tesec.ru](http://www.tesec.ru) [www.ти-системс.рф](http://www.ти-системс.рф)

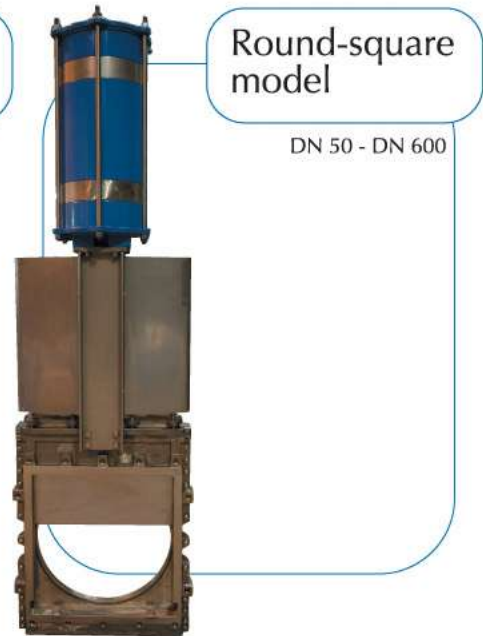
Телефоны: +7 (495) 7774788, 7489626, 5007155, 54 Эл. почта: [info@tisys.ru](mailto:info@tisys.ru) [info@tisys.kz](mailto:info@tisys.kz) [info@tisys.by](mailto:info@tisys.by)



• Bidirectional wafer type valve.

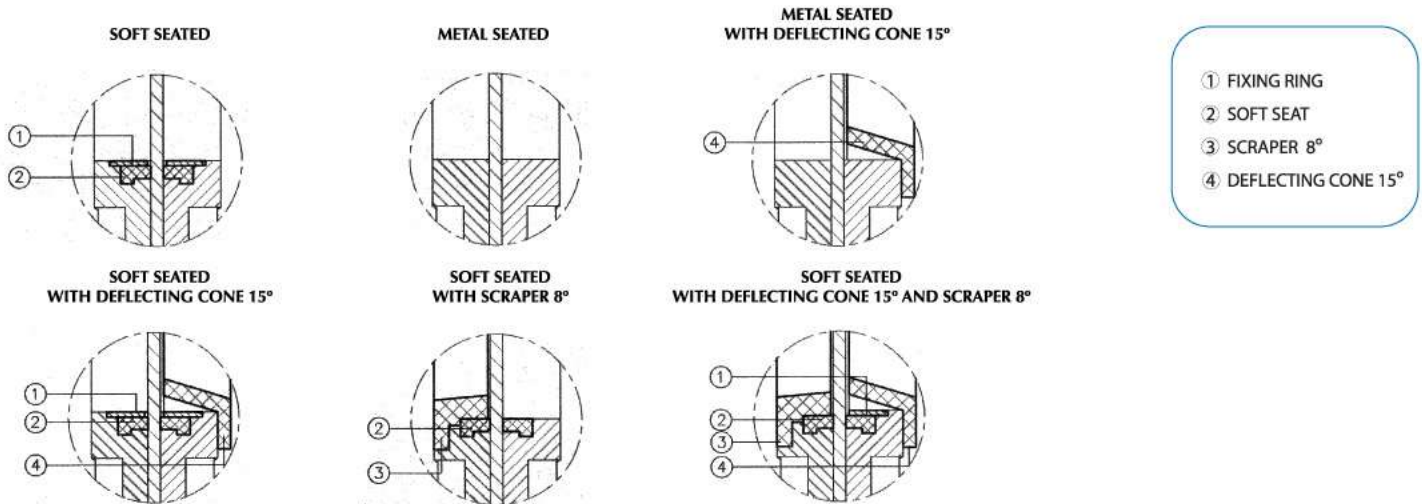


• Bidirectional wafer type valve.

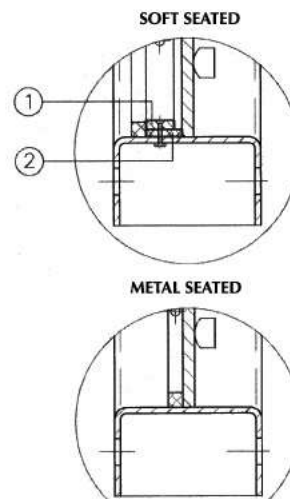


• Unidirectional wafer type valve.

### △ Types of seat



### Square model



### Types of seat ▽

ООО «ТИ-СИСТЕМС» ИНЖИНИРИНГ И ПОСТАВКА ТЕХНОЛОГИЧЕСКОГО ОБОРУДОВАНИЯ

• Unidirectional Интернет: [www.tisys.ru](http://www.tisys.ru) [www.tisys.kz](http://www.tisys.kz) [www.tisys.by](http://www.tisys.by) [www.tesec.ru](http://www.tesec.ru) [www.ti-systems.com](http://www.ti-systems.com)  
Телефоны: +7 (495) 7774788, 7489626, 5007155, 54 Эл. почта: [info@tisys.ru](mailto:info@tisys.ru) [info@tisys.kz](mailto:info@tisys.kz) [info@tisys.by](mailto:info@tisys.by)

## Fabricated construction knife gate valve

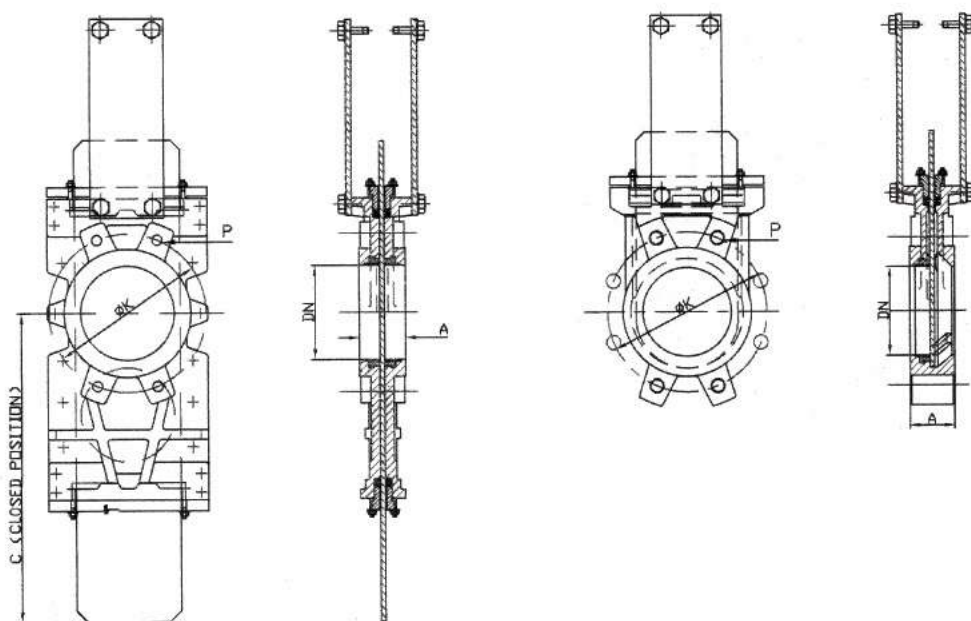


- Unidirectional or bidirectional flanged or wafer type.
- Fabricated construction body and bonnet.

## High pressure knife gate valve



- Unidirectional flanged type.
- Monobloc body and cast bonnet.



## Dimensions

### MAXIMUM WORKING PRESSURES RECOMMENDED:

DN50 - DN250= 10Kg/cm<sup>2</sup>  
 DN300 - DN400= 6Kg/cm<sup>2</sup>  
 DN450= 5Kg/cm<sup>2</sup>  
 DN500 - DN600= 4Kg/cm<sup>2</sup>

### CONTRAPRESSURES (MODEL 400):

DN50 - DN250= 3Kg/cm<sup>2</sup>  
 DN300 - DN400= 2Kg/cm<sup>2</sup>  
 DN450= 1.5Kg/cm<sup>2</sup>  
 DN500 - DN600= 1Kg/cm<sup>2</sup>

DN	INCHES	A					Ø K		P		
		200 MODEL	400 MODEL	FULL LUG MODEL	TAPPI MODEL	300 MODEL	PN 10	ANSI 150	NUMBER OF HOLES	PN 10	ANSI 150
50	2"	40	60	40	48	40	125	120,6	4	M 16	W 5/8"
65	2 1/2"	40	60	40	48	40	145	139,7	4	M 16	W 5/8"
80	3"	50	64	50	51	50	160	152,4	8	M 16	W 5/8"
100	4"	50	64	50	51	50	180	190,5	8	M 16	W 5/8"
125	5"	50	70	50	57	50	210	215,9	8	M 16	W 3/4"
150	6"	60	76	60	57	60	240	241,3	8	M 20	W 3/4"
200	8"	60	89	60	70	60	295	298,4	8	M 20	W 3/4"
250	10"	70	114	70	70	70	350	361,9	12	M 20	W 7/8"
300	12"	70	114	70	76	70	400	431,8	12	M 20	W 7/8"
350	14"	96	127	96	76	96	460	476,2	16	M 20	W 1"
400	16"	100	140	100	89	100	515	539,7	16	M 24	W 1"
450	18"	106	152	106	89	106	565	577,8	20	M 24	W 1 1/8"
500	20"	110	152	110	114	110	620	635	20	M 24	W 1 1/8"
600	24"	110	178	110	114	110	725	749,3	20	M 27	W 1 1/4"

\* Higher diameters under request

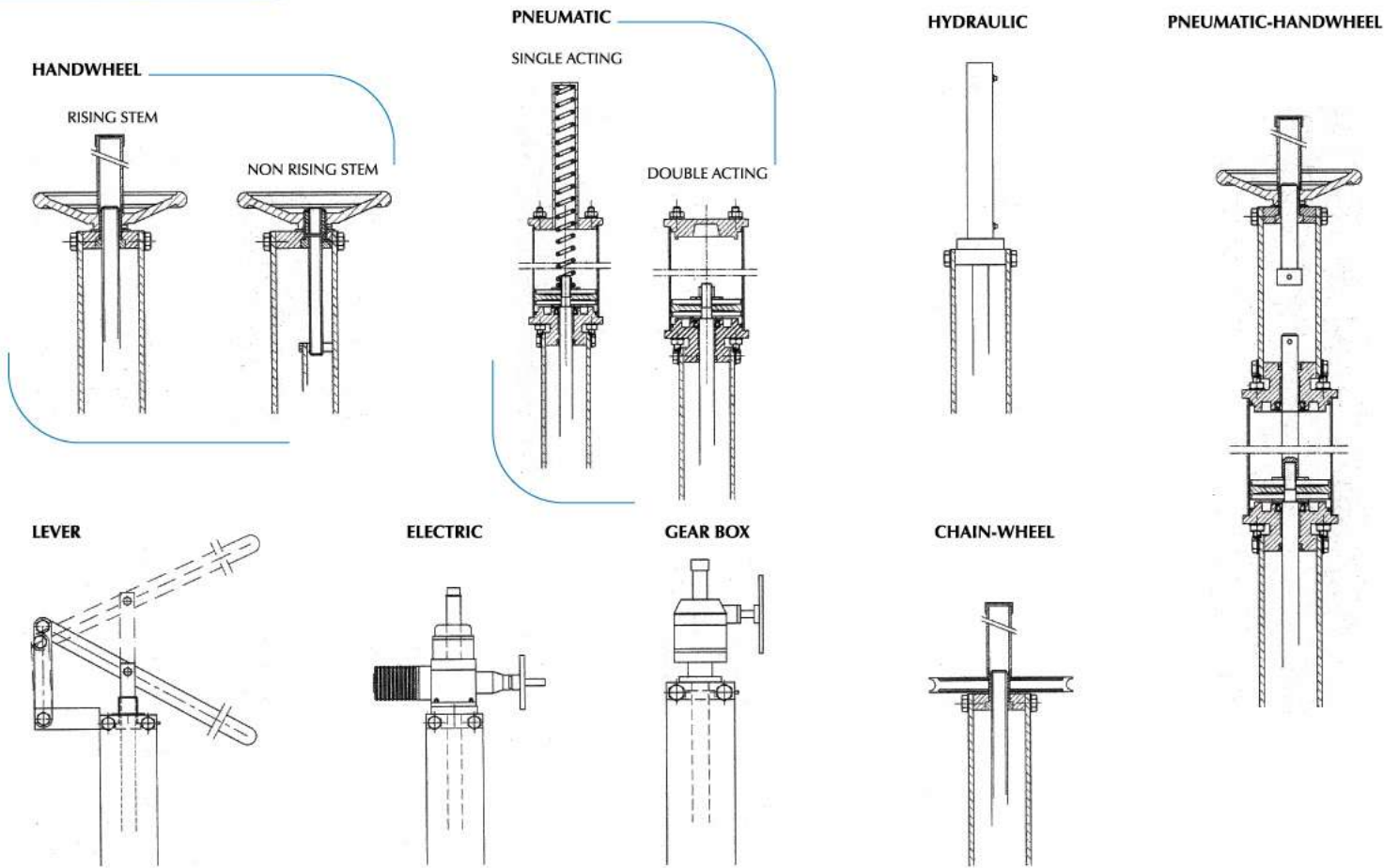
ООО «ТИ-СИСТЕМС» ИНЖИНИРИНГ И ПОСТАВКА ТЕХНОЛОГИЧЕСКОГО ОБОРУДОВАНИЯ

\* Valves manufactured following European Pressure Equipment Directive PED 97/23/CE

Интернет: [www.tisys.ru](http://www.tisys.ru) [www.tisys.kz](http://www.tisys.kz) [www.tisys.by](http://www.tisys.by) [www.tebec.ru](http://www.tebec.ru) [www.ti-sistems.com](http://www.ti-sistems.com)

Телефоны: +7 (495) 7774788, 7489626, 5007155, 54 Эл. почта: [info@tisys.ru](mailto:info@tisys.ru) [info@tisys.kz](mailto:info@tisys.kz) [info@tisys.by](mailto:info@tisys.by)

## Drives



- All the drives are interchangeable with any knife gate valves.

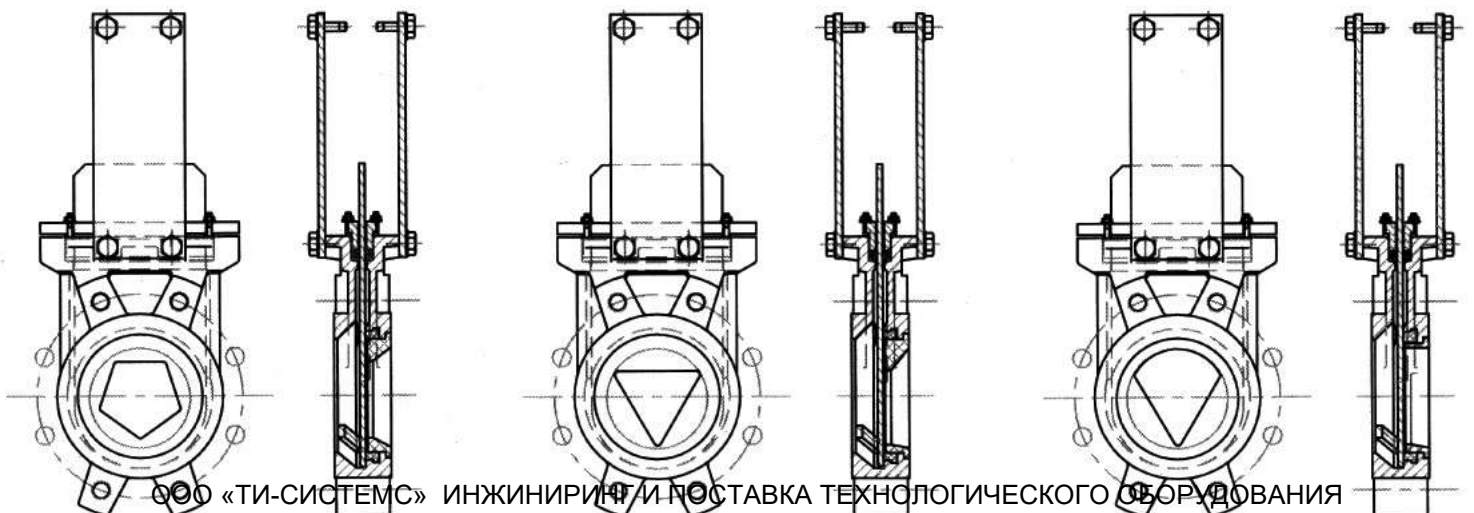
## Accessories

- Solenoid control valves.
- Inductive proximity sensors.
- Mechanical limit switches.
- Stops mechanical.
- Rubber sleeves.
- Extensions.
- Diaphragm for regulation.

PENTAGONAL DIAPHRAGM

TRIANGULAR DIAPHRAGM

V-PORT DIAPHRAGM



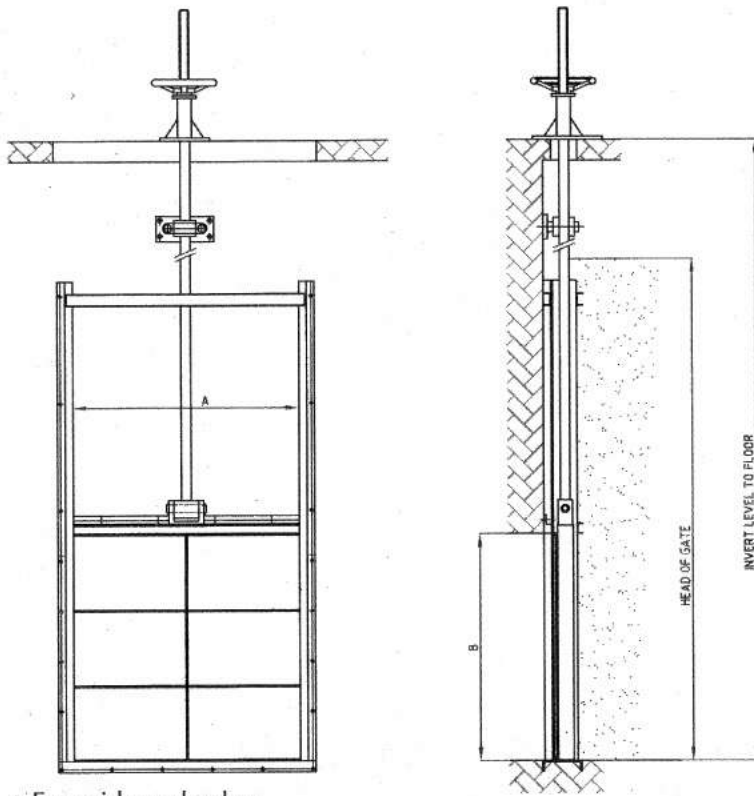
ООО «ТИ-СИСТЕМС» ИНЖИНИРИНГ И ПОСТАВКА ТЕХНОЛОГИЧЕСКОГО ОБОРУДОВАНИЯ

Интернет: [www.tisys.ru](http://www.tisys.ru) [www.tisys.kz](http://www.tisys.kz) [www.tisys.by](http://www.tisys.by) [www.tesec.ru](http://www.tesec.ru) [www.ти-системс.рф](http://www.ти-системс.рф)

Телефоны: +7 (495) 7774788, 7489626, 5007155, 54 Эл. почта: [info@tisys.ru](mailto:info@tisys.ru) [info@tisys.kz](mailto:info@tisys.kz) [info@tisys.by](mailto:info@tisys.by)

# Penstock valves

## Models

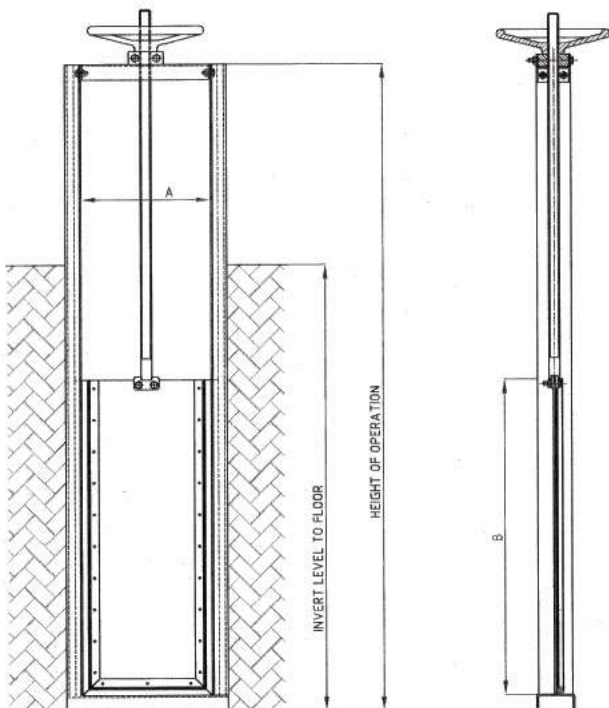


- Four side seal valve.
- Tightness: 100%.
- Different shapes available: square, rectangular & round.
- On & Off seat. Under request.

### Wall penstocks



### Channel penstocks



- Three side seal valve.
- Different shapes available: square & rectangular.

\* OVERFLOW GATE VALVE: Three side seal valve.

\* FLAP VALVE: Intended to prevent backflow. Wall assembly as end of line or pipe assembly.

\* Penstock valves designed depending on the working conditions.

\* Valves manufactured following European Pressure Equipment Directive PED 97/23/CE.

## Drives



- Handwheel.
- Electric actuator.
- Gear box.
- Pneumatic actuator.

ООО «ТИ-СИСТЕМС» ИНЖИНИРИНГ И ПОСТАВКА ТЕХНОЛОГИЧЕСКОГО ОБОРУДОВАНИЯ

Интернет: [www.tisys.ru](http://www.tisys.ru) [www.tisys.kz](http://www.tisys.kz) [www.tisys.by](http://www.tisys.by) [www.tesec.ru](http://www.tesec.ru) [www.ti-sys.com](http://www.ti-sys.com)

Телефоны: +7 (495) 7774788, 7489626, 5007155, 54 Эл. почта: [info@tisys.ru](mailto:info@tisys.ru) [info@tisys.kz](mailto:info@tisys.kz) [info@tisys.by](mailto:info@tisys.by)

\* All the drives are interchangeable with any penstock models.

